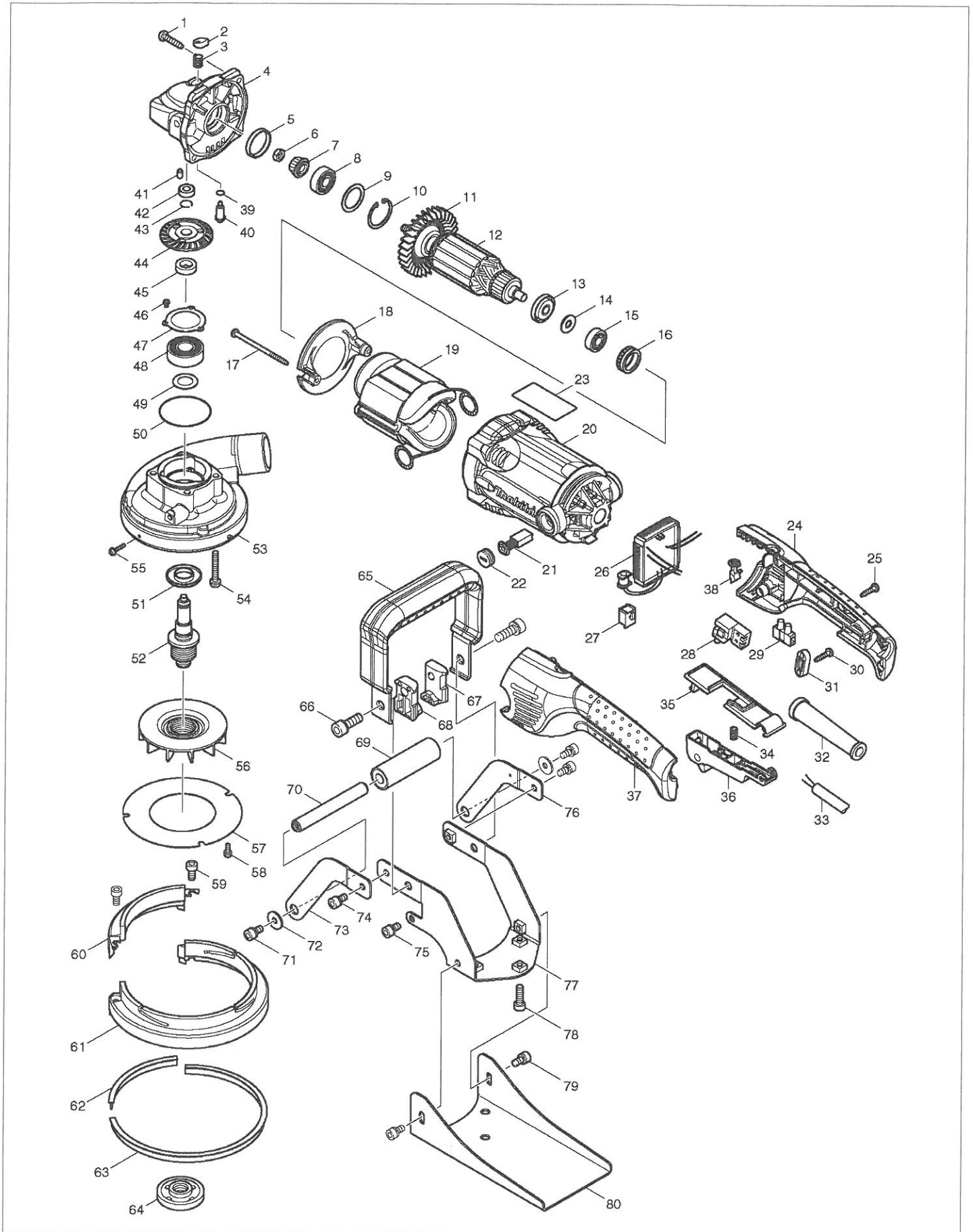


# SERVICE DRAWING

MODEL NO. PC5001C



# SPARE PARTS LIST

MODEL NO. PC5001C

| ITEM | PART NO. | DESCRIPTION              | QTY | NOTE  |
|------|----------|--------------------------|-----|-------|
| 001  | 266459-3 | TAPPING SCREW 5X25       | 4   |       |
| 002  | 417771-6 | PINCAP                   | 1   |       |
| 003  | 234057-1 | COMPRESSIONSPRING8       | 1   |       |
| 004  | 318158-4 | GEARHOUSING              | 1   |       |
| 005  | 424051-3 | RUBBER RING 26           | 1   |       |
| 006  | 264010-3 | HEX.NUTM7                | 1   |       |
| 007  | 227520-1 | SPIRALBEVELGEAR11        | 1   |       |
| 008  | *****    | *****                    | *** | ***** |
| 009  | 267352-4 | FLATWASHER22             | 1   |       |
| 010  | 962107-9 | RETAININGRING(INT)R-30   | 1   |       |
| 011  | 240094-5 | FAN70                    | 1   |       |
| 012  | *****    | *****                    | *** | ***** |
| 013  | 681660-3 | INSULATIONWASHER         | 1   |       |
| 014  | 267281-1 | FLATWASHER8              | 1   |       |
| 015  | 210005-4 | BALLBEARING608DDW        | 1   |       |
| 016  | 421720-7 | RUBBERRING22             | 1   |       |
| 017  | 266325-4 | TAPPINGSCREW4X70         | 2   |       |
| 018  | 419961-7 | BAFFLEPLATE              | 1   |       |
| 019  | *****    | *****                    | *** | ***** |
| 020  | 140019-8 | MOTORHOUSINGCOMPLETE     | 1   |       |
| 021  | 194547-5 | CARBONBRUSHCB-253        | 1   |       |
| 022  | 643750-0 | BRUSHHOLDERCAP           | 2   |       |
| 023  | 866331-5 | PC5001CNAMEPLATE         | 1   |       |
| 024  | 188630-8 | HANDLESET<br>INC. 37     | 1   |       |
| 025  | 266326-2 | TAPPINGSCREW4X18         | 4   |       |
| 026  | 631799-2 | CONTROLLER               | 1   |       |
| 027  | 418518-1 | SLEEVE                   | 1   |       |
| 028  | *****    | *****                    | *** | ***** |
| 029  | 654575-7 | TERMINALBLOCK            | 1   |       |
| 030  | 266326-2 | TAPPINGSCREW4X18         | 2   |       |
| 031  | 687124-5 | STRAINRELIEF             | 1   |       |
| 032  | 682574-9 | CORDGUARD10-90           | 1   |       |
| 033  | 665883-1 | POWERSUPPLYCORD1.0-2-5.0 | 1   |       |
| 034  | 233117-6 | COMPRESSIONSPRING6       | 1   |       |
| 035  | 418519-9 | SWITCHBASE               | 1   |       |
| 036  | 158401-7 | SWITCH LEVER A COMPLETE  | 1   |       |
| 037  | 188630-8 | HANDLESET<br>INC. 24     | 1   |       |
| 038  | 450184-8 | LENZ                     | 1   |       |
| 039  | 213977-2 | ORING7                   | 1   |       |
| 040  | 256505-0 | SHOULDERPIN5             | 1   |       |
| 041  | 263002-9 | RUBBERPIN4               | 1   |       |
| 042  | 210006-2 | BALLBEARING696ZZ         | 1   |       |
| 043  | 233950-6 | RINGSRING11              | 1   |       |
| 044  | 227521-9 | SPIRALBEVELGEAR35A       | 1   |       |
| 045  | 257171-6 | RING12                   | 1   |       |
| 046  | 911003-8 | PANHEADSCREWM3X6         | 3   |       |
| 047  | 285728-3 | BEARINGRETAINER39        | 1   |       |
| 048  | 211228-7 | BALLBEARING6202DDW       | 1   |       |
| 049  | 253853-8 | FLATWASHER15             | 1   |       |
| 050  | 213624-5 | ORING48                  | 1   |       |
| 051  | 345464-4 | LABYRINTHRING            | 1   |       |
| 052  | 325625-2 | SPINDLE                  | 1   |       |
| 053  | *****    | *****                    | *** | ***** |
| 054  | 911256-9 | PANHEADSCREWM5X35        | 4   |       |
| 055  | 911024-0 | PANHEADSCREWM3X14        | 1   |       |
| 056  | 240114-5 | FAN85                    | 1   |       |
| 057  | 346045-7 | SEPARATOR                | 1   |       |

# SPARE PARTS LIST

MODEL NO. PC5001C

| ITEM | PART NO. | DESCRIPTION               | QTY | NOTE  |
|------|----------|---------------------------|-----|-------|
| 058  | 911115-7 | PANHEADSCREWM4X10         | 3   |       |
| 059  | 922312-0 | HEX.SOCKETHEADBOLTM6X12   | 2   |       |
| 060  | *****    | *****                     | *** | ***** |
| 061  | *****    | *****                     | *** | ***** |
| 062  | *****    | *****                     | *** | ***** |
| 063  | *****    | *****                     | *** | ***** |
| 064  | 224554-5 | LOCKNUT14-45              | 1   |       |
| 065  | 273529-1 | GRIP                      | 1   |       |
| 066  | 922441-9 | HEX.SOCKETHEADBOLTM8X25   | 2   |       |
| 067  | 450190-3 | SPACER B                  | 1   |       |
| 068  | 450190-3 | SPACER B                  | 1   |       |
| 069  | 152179-4 | FRONTROLLERCOMPLETE       | 1   |       |
| 070  | 321436-3 | FRONTROLLERSHAFT          | 1   |       |
| 071  | 922311-2 | HEX.SOCKETHEADBOLTM6X12   | 2   |       |
| 072  | 253011-6 | FLATWASHER6               | 2   |       |
| 073  | 346042-3 | ROLLERHOLDERL             | 1   |       |
| 074  | 922311-2 | HEX.SOCKETHEADBOLTM6X12   | 2   |       |
| 075  | 922311-2 | HEX.SOCKETHEADBOLTM6X12   | 1   |       |
| 076  | 346043-1 | ROLLERHOLDERR             | 1   |       |
| 077  | 346044-9 | BASEHOLDER                | 1   |       |
| 078  | *****    | *****                     | *** | ***** |
| 079  | 922311-2 | HEX.SOCKETHEADBOLTM6X12   | 2   |       |
| 080  | 341840-0 | BASE                      | 1   |       |
| 081  | 253828-7 | FLATWASHER10              | 1   |       |
| A01  | 122853-8 | DUSTBAGASS'Y              | 1   |       |
| A02  | 410047-0 | WRENCHHOLDER5.6           | 1   |       |
| A03  | 782426-5 | LOCKNUTWRENCH35           | 1   |       |
| A04  | 783203-8 | HEX.WRENCH5               | 1   |       |
| A05  | 140073-2 | STEELCARRYINGCASECOMPLETE | 1   |       |
| A06  | 194921-7 | BRUSHSET                  | 1   |       |
| A07  | B-12289  | OFFSETDIAMONDWHEEL125     | 1   |       |