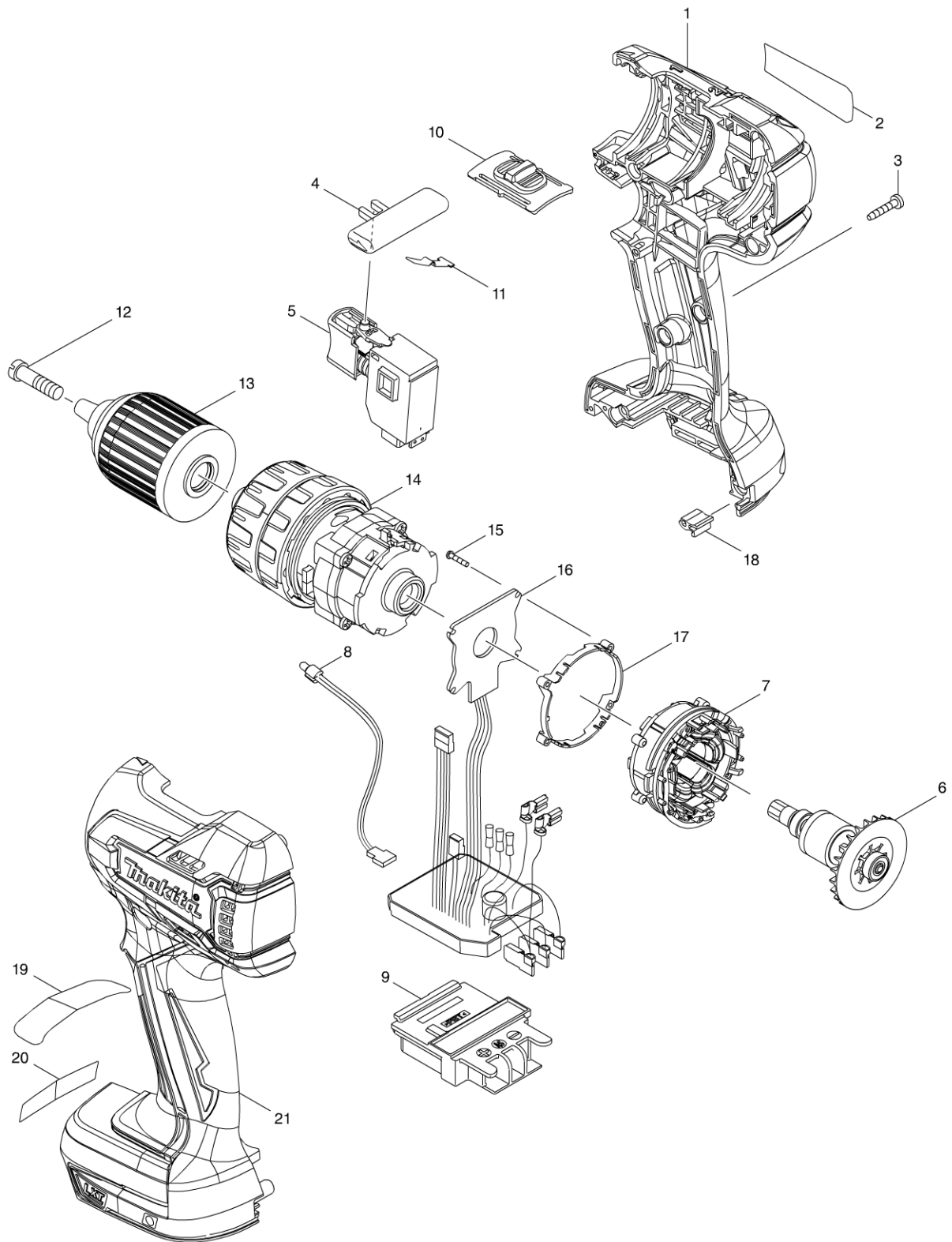


Model No. DHP459 CORDLESS HAMMER DRIVER DRILL



Model No. DHP459 CORDLESS HAMMER DRIVER DRILL

Item	Parts No.	Description	I/C	QTY	N/O	Opt. 1	Opt. 2	NOTE
001	187454-9	HOUSING SET		1	*			
C10	263005-3	RUBBER PIN 6		2	*			
D10		INC. 21			*			
001-1	187454-9	HOUSING SET	O	1				
C10	263005-3	RUBBER PIN 6		2				
D10		INC. 21						
002	815B76-4	DHP459 NAME PLATE		1				
003	266429-2	TAPPING SCREW 3X16		9				
004	419250-0	F/R CHANGE LEVER		1				
005	650689-0	SWITCH C3JW-2B		1				
006	619304-5	ROTOR		1				
007	629960-3	STATOR		1				
008	620163-2	LED CIRCUIT		1				
009	643860-3	TERMINAL		1				
010	126180-5	SPEED CHANGE LEVER ASSEMBLY		1				
C10	233438-6	COMPRESSION SPRING 4		2				
011	232182-2	LEAF SPRING		1				
012	251468-5	- FLAT HEAD SCREW M6X22		1				
013	763175-3	KEYLESS DRILL CHUCK 13		1				
014	126179-0	GEAR ASSEMBLY		1				
015	266786-8	+ PAN HEAD TAPPING SCREW 2X10		4				
016	620162-4	CONTROLLER		1				
017	687464-1	SUPPORT		1				
018	424517-3	CUSHION		1				
021	187454-9	HOUSING SET		1	*			
C10	263005-3	RUBBER PIN 6		2	*			
D10		INC. 1			*			
021-1	187454-9	HOUSING SET	O	1				
C10	263005-3	RUBBER PIN 6		2				
D10		INC. 1						
A01	251314-2	+ SCREW M4X12		1				
A02D	346317-0	HOOK		1				
A02E	346317-0	HOOK		1				
A02F	346449-3	HOOK		1				
A02G	346449-3	HOOK		1				
A03	784637-8	+ BIT 2-45		1				
A04D	***DC18RC	DC18RC FAST CHARGER		1				
A04F	***DC18SD	DC18SD BATTERY CHARGER		1				
A04G	***DC18SD	DC18SD BATTERY CHARGER		1				
A05D	194204-5	BATTERY BL1830 SET		2	*			
A05F	194513-2	BATTERY BL1815 SET		2				
A05G	196235-0	BATTERY BL1815N SET		2	*			
A05-1D	194204-5	BATTERY BL1830 SET	O	2				
A05-1G	196235-0	BATTERY BL1815N SET	O	2				
A06D	450128-8	BATTERY COVER		1				
A06F	450128-8	BATTERY COVER		1				
A06G	450128-8	BATTERY COVER		1				
A07D	158597-4	PLASTIC CASE COMPLETE		1				

Please order the parts with a part number.

Print Date 29/09/2015

