



ZA

SOUTH AFRICA

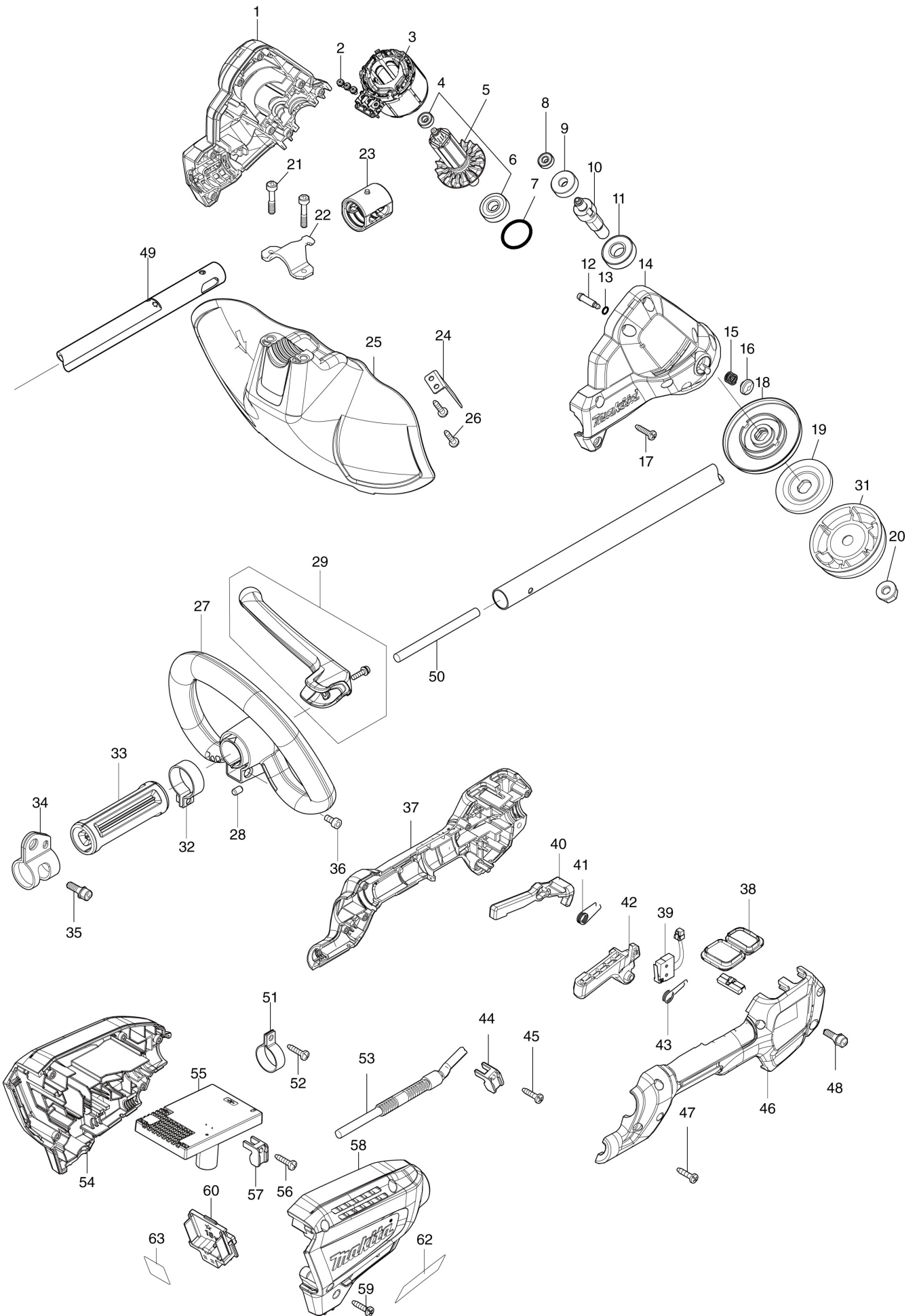
# Diagram / Parts List

**DUR190L**

**CORDLESS GRASS TRIMMER**



(ZA) DUR190L / CORDLESS GRASS TRIMMER



<b>ZA</b>	<b>SOUTH AFRICA</b>
-----------	---------------------

### DUR190L / CORDLESS GRASS TRIMMER

Item	Sub	Parts No.	Parts Description	Qty	I/C	E/C No.	Close No.	Remark
001		183P06-0	MOTOR HOUSING SET	1				
	D10		INC. 14					
002		652069-6	FLAT HEAD SCREW M3X6	3				
003		629248-1	STATOR	1				
004		210215-3	BALL BEARING 695ZZ	1				
005		510449-1	ROTOR ASS'Y	1				
	D10		INC. 4,6					
006		210049-4	BALL BEARING 609ZZ	1				
007		213380-7	O RING 24	1				
008		210215-3	BALL BEARING 695ZZ	1				
009		221492-2	HELICAL GEAR 26	1				
010		327542-2	CUTTER SHAFT	1				
011		211131-2	BALL BEARING 6001DDW	1				
012		256546-6	SHOULDER PIN 4	1				
013		213021-5	O RING 5	1				
014		183P06-0	MOTOR HOUSING SET	1				
	D10		INC. 1					
015		233072-2	COMPRESSION SPRING 8	1				
016		412408-0	PIN CAP	1				
017		266326-2	TAPPING SCREW 4X18	8				
018		140T23-7	RECEIVE WASHER COMPLETE	1				
021		251513-6	H.S.H.BOLT M5X25	2				
022		347667-6	PROTECTOR CLAMP	1				
023		424567-8	RUBBER SLEEVE 24	1				
024		346855-2	CUTTER	1				
025		412392-9	PROTECTOR	1				
026		266326-2	TAPPING SCREW 4X18	2				
027		457937-6	LOOP HANDLE 24	1			DG323	
027-1		413L67-5	LOOP HANDLE 24	1	O	DG323		
028		263005-3	RUBBER PIN 6	1				
029		143695-7	BARRIER COMPLETE	1				
	C10	911128-8	P.H.SCREW M4X16 WITH WR	1				
032		347011-7	PIPE CLAMP 29	1				
033		451601-1	SPACER 24	1				
034		347116-3	HANGER	1				
035		922212-4	HEX. SOCKET HEAD BOLT M5X12	1				
036		922212-4	HEX. SOCKET HEAD BOLT M5X12	1				
037		183P04-4	GRIP SET	1				
	C10	931202-6	HEX. NUT M5	1				
	D10		INC. 46					
038		140T18-0	SUB CONTROLLER COMPLETE	1				
	C10	8010M7-8	SWITCH LABEL	1				
	C20	8010M8-6	INDICATION LABEL	1				
039		632E26-0	SWITCH UNIT	1				
040		455629-1	LOCK OFF LEVER	1				
041		233621-5	TORSION SPRING 9	1				
042		455625-9	SWITCH LEVER	1				
043		233612-6	TORSION SPRING 10	1				
044		687260-7	STRAIN RELIEF	1				
045		266326-2	TAPPING SCREW 4X18	1				
046		183P04-4	GRIP SET	1				
	C10	931202-6	HEX. NUT M5	1				
	D10		INC. 37					
047		266326-2	TAPPING SCREW 4X18	6				
048		922228-9	H.S.H.BOLT M5X18 WITH WR	1				
049		140T21-1	PIPE COMPLETE	1				
	C10	819N87-3	CAUTION LABEL	1				
	C20	819312-8	MAKITA LOGO LABEL	1				
050		699090-4	POWER SUPPLY CORD UNIT	1				
051		346248-3	CLAMP 24	1				
052		266326-2	TAPPING SCREW 4X18	1				
053		699149-7	POWER SUPPLY CORD UNIT	1				
054A		183P07-8	HOUSING SET	1			D8239	
	C10	263005-3	RUBBER PIN 6	2			D8239	
	D10		INC. 58				D8239	

A:DUR190LZX3(N)  
 B:DUR190LRT3(H)  
 C:DUR190LZX9(N)  
 D:DUR190LRT9(H)

Interchange  
 O : Yes  
 X : No  
 < : the new part can be substituted for the current.  
 > : the current part can be substituted for the new.  
 S : Interchangeable as a set.

<b>ZA</b>	<b>SOUTH AFRICA</b>
-----------	---------------------

### DUR190L / CORDLESS GRASS TRIMMER

Item	Sub	Parts No.	Parts Description	Qty	I/C	E/C No.	Close No.	Remark
054B		183P07-8	HOUSING SET	1			D8239	
	C10	263005-3	RUBBER PIN 6	2			D8239	
	D10		INC. 58				D8239	
054-1A		183T27-6	HOUSING SET	1	<	D8239		
	C10	263005-3	RUBBER PIN 6	2		D8239		
	C20	422749-6	RUBBER SHEET	1		D8239		
	D10		INC. 58			D8239		
054-1B		183T27-6	HOUSING SET	1	<	D8239		
	C10	263005-3	RUBBER PIN 6	2		D8239		
	C20	422749-6	RUBBER SHEET	1		D8239		
	D10		INC. 58			D8239		
054-1C		183T27-6	HOUSING SET	1				
	C10	263005-3	RUBBER PIN 6	2				
	C20	422749-6	RUBBER SHEET	1				
	D10		INC. 58					
054-1D		183T27-6	HOUSING SET	1				
	C10	263005-3	RUBBER PIN 6	2				
	C20	422749-6	RUBBER SHEET	1				
	D10		INC. 58					
055		620C56-1	CONTROLLER	1			DA866	
055-1		620F98-3	CONTROLLER	1	<	DA866		
056		266326-2	TAPPING SCREW 4X18	1				
057		687260-7	STRAIN RELIEF	1				
058A		183P07-8	HOUSING SET	1			D8239	
	C10	263005-3	RUBBER PIN 6	2			D8239	
	D10		INC. 54				D8239	
058B		183P07-8	HOUSING SET	1			D8239	
	C10	263005-3	RUBBER PIN 6	2			D8239	
	D10		INC. 54				D8239	
058-1A		183T27-6	HOUSING SET	1	<	D8239		
	C10	263005-3	RUBBER PIN 6	2		D8239		
	C20	422749-6	RUBBER SHEET	1		D8239		
	D10		INC. 54			D8239		
058-1B		183T27-6	HOUSING SET	1	<	D8239		
	C10	263005-3	RUBBER PIN 6	2		D8239		
	C20	422749-6	RUBBER SHEET	1		D8239		
	D10		INC. 54			D8239		
058-1C		183T27-6	HOUSING SET	1				
	C10	263005-3	RUBBER PIN 6	2				
	C20	422749-6	RUBBER SHEET	1				
	D10		INC. 54					
058-1D		183T27-6	HOUSING SET	1				
	C10	263005-3	RUBBER PIN 6	2				
	C20	422749-6	RUBBER SHEET	1				
	D10		INC. 54					
059		266326-2	TAPPING SCREW 4X18	6				
060		644809-6	TERMINAL	1				
062		857D04-5	DUR190L NAME PLATE	1				
063		857D09-5	DUR190L SERIAL NO. LABEL	1				
A01		125516-5	BAND ASSEMBLY	1				
A05A		198892-0	CUTTER ASSEMBLY 95-M10L SET M	1				
	C10	144259-0	SPOOL COVER COMPLETE	1				
	C20	232289-4	COMPRESSION SPRING 15	1				
	C30	456640-6	SPOOL HOLDER	1				
	C40	456642-2	SPOOL	1				
A05B		198892-0	CUTTER ASSEMBLY 95-M10L SET M	1				
	C10	144259-0	SPOOL COVER COMPLETE	1				
	C20	232289-4	COMPRESSION SPRING 15	1				
	C30	456640-6	SPOOL HOLDER	1				
	C40	456642-2	SPOOL	1				
A05C		191D89-4	TRIMMER HEAD 96-M10L SET	1				
A05D		191D89-4	TRIMMER HEAD 96-M10L SET	1				
A06		831304-7	ACCESSORY BAG	1				
A07B		450128-8	BATTERY COVER	2				
A07D		450128-8	BATTERY COVER	2				

A:DUR190LZX3(N)  
 B:DUR190LRT3(H)  
 C:DUR190LZX9(N)  
 D:DUR190LRT9(H)

Interchange  
 O : Yes  
 X : No  
 < : the new part can be substituted for the current.  
 > : the current part can be substituted for the new.  
 S : Interchangeable as a set.

