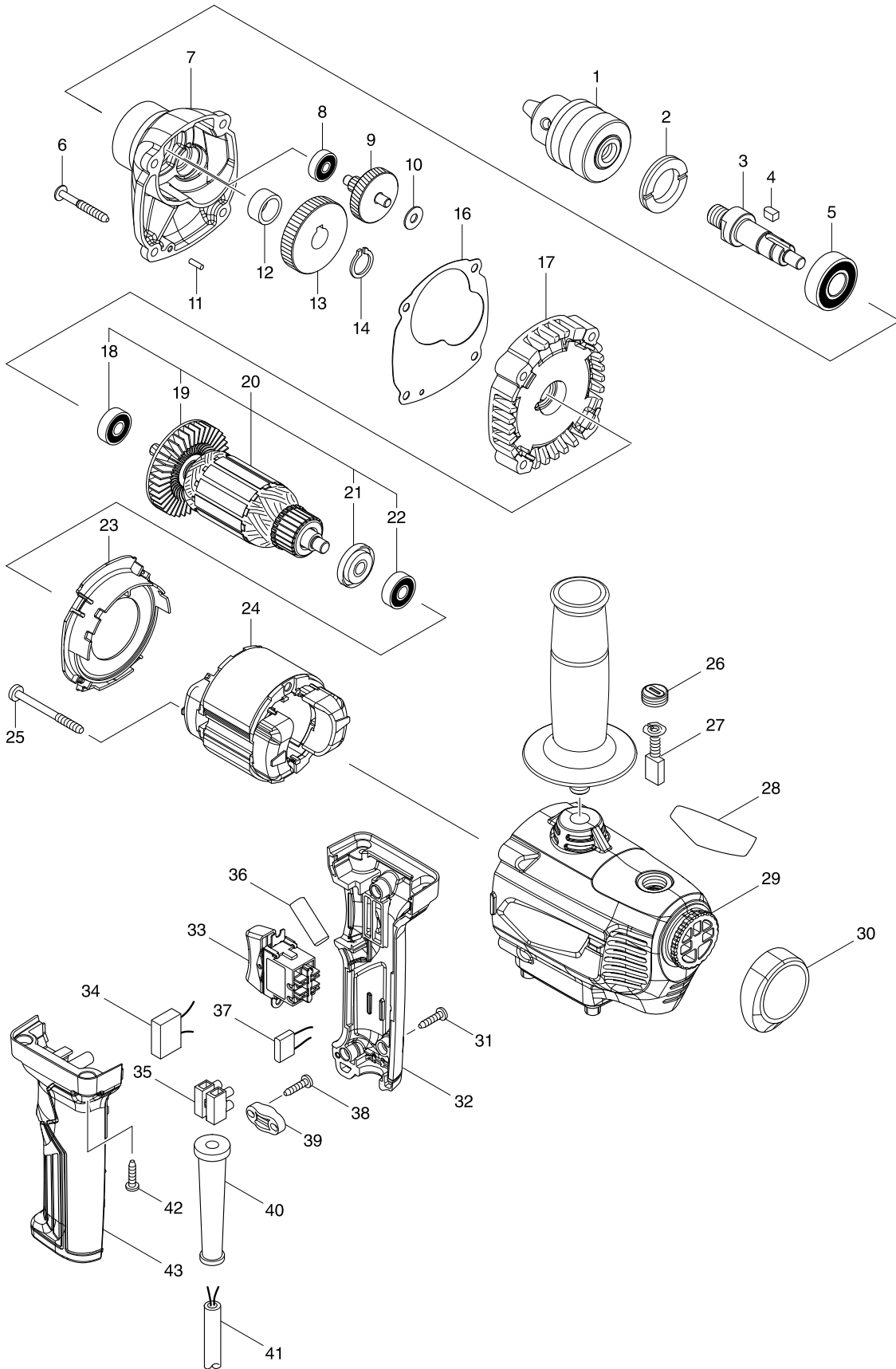


Model No. M6201 13MM(1/2")DRILL



Model No. M6201 13MM(1/2")DRILL

Item	Parts No.	Description	I/C	QTY	N/O	Opt. 1	Opt. 2	NOTE
001	766023-5	DRILL CHUCK S13		1				
002	285848-3	BEARING RETAINER 23-36		1				
003	326600-1	SPINDLE		1				
004	254211-1	KEY 5		1				
005	211487-3	BALL BEARING 6202DDW		1				
006	266211-9	TAPPING SCREW 5X40		4				
007	142841-9	GEAR HOUSING COMPLETE		1				
C10	263002-9	RUBBER PIN 4		1				
008	211499-6	BALL BEARING 626ZZ		1				
009	226028-2	GEAR COMPLETE 7-41		1				
010	253804-1	FLAT WASHER 6		1				
011	256180-2	PIN 3		1				
012	257018-4	RING 15		1				
013	221261-1	SPUR GEAR 47		1				
014	961054-1	RETAINING RING S-14		1				
016	442207-6	GASKET		1				
017	142840-1	GEAR HOUSING COVER COMPLETE		1				
C10	263002-9	RUBBER PIN 4		1				
018	210029-0	BALL BEARING 608ZZ		1				
019	241850-6	FAN 60		1				
020	513919-9	ARMATURE ASS'Y 240V		1				
D10		INC. 18,19,21,22						
021	681644-1	INSULATION WASHER		1				
022	210029-0	BALL BEARING 608ZZ		1				
023	455343-9	BAFFLE PLATE		1				
024	594659-8	FIELD ASS'Y 240V		1				
C10	654020-2	RING TERMINAL		2				
C20	654501-6	CONNECTOR P-1.25		2				
025	266418-7	TAPPING SCREW 5X55		2				
026	644500-6	HOLDER CAP 7X11		2				
027	191963-2	CARBON BRUSH CB-303		1				
028	850W10-3	M6201 NAME PLATE		1				
C10	644501-4	BRUSH HOLDER 5X11		2				
029A	143121-6	MOTOR HOUSING COMPLTE		1				
029B	143260-2	MOTOR HOUSING COMPLTE		1				
030	424654-3	CAP		1				
031	266326-2	TAPPING SCREW 4X18		3				
032A	183B03-2	SWITCH HANDLE SET		1	*			
D10		INC. 43			*			
032-1A	187945-0	SWITCH HANDLE SET	<	1				
D10		INC. 43						
032-1B	183B05-8	SWITCH HANDLE SET		1				
D10		INC. 43						
033	650732-5	SWITCH TN55		1				
034	645190-8	NOISE SUPPRESSOR		1				
035	654531-7	TERMINAL BLOCK 2P		1				
036	688165-4	LINE FILTER		1				
037	646755-9	RESISTOR		1				

Item	Parts No.	Description	I/C	QTY	N/O	Opt. 1	Opt. 2	NOTE
038	266326-2	TAPPING SCREW 4X18		2				
039	687124-5	STRAIN RELIEF		1				
040	682566-8	CORD GUARD 10		1				
041	665852-2	POWER SUPPLY CORD 1.0-2-2.0		1	*			
041-1	695454-0	POWER SUPPLY CORD 1.0-2-2.0	O	1				
042	266326-2	TAPPING SCREW 4X18		4				
043A	183B03-2	SWITCH HANDLE SET		1	*			
D10		INC. 32			*			
043-1A	187945-0	SWITCH HANDLE SET	<	1				
D10		INC. 32						
043-1B	183B05-8	SWITCH HANDLE SET		1				
D10		INC. 32						
A01	142088-5	GRIP 36 COMPLETE		1				
A02	418163-2	KEY HOLDER 10		1				
A03	763453-1	CHUCK KEY S13		1				